

Product Information and Prices



Elmasonic Med

Ultrasonic cleaning devices

Registered as class I medical devices according to the Medical Devices Regulation (EU) 2017 / 745.

Please observe the laws and legal regulations applicable in your country.



Order numbers and list prices

Elmasonic Med	30	60	100	120	180	200	300	500	900
Order number 220 - 240 V~	1097278	1100677	1098774	1099984	1100688	1106412	1098779	1079529	1079227
List price	695,00 €	1.190,00 €	1.430,00 €	1.829,00 €	2.005,00 €	2.110,00 €	2.520,00 €	3.290,00 €	5.080,00 €
Order number 220 - 240 V~ with sound protection cover				--				1109443	1109444
List price with sound protection cover				--				3.645,00 €	5.550,00 €

Scope of delivery

- Cover / drip tray (Elmasonic Med 30 - 300); Stainless steel cover or Sound-protection cover (Elmasonic Med 500 / 900)
- Operating manual
- Power cable with rubber connector (2 m length)
- Hose connection grommet (except Elmasonic Med 30), drain hose not included

All prices ex works, excluding packaging.

Technical specifications serve as orientation values and are subject to tolerances due to production and manufacturing. Proper operation can only be guaranteed when using original Elma accessories.

Elmasonic Med

Product features and functions

- 37 kHz ultrasonic frequency (control range -2,5 / +5,5 kHz)
- 5 ultrasonic modes for need-based sound field distribution in the ultrasonic bath
 - eco-mode: Gentle cleaning with quieter operation by running the sweep-mode at a slightly lower intensity
 - sweep-mode: Even cleaning through even sound field distribution in the ultrasonic bath
 - pulse-mode: Removal of even stubborn contamination through pulsating sound field distribution
 - dynamic-mode: Combination of the ultrasonic modes sweep and pulse in order to increase the cleaning performance
 - degas-mode: Quick degassing of the cleaning liquid and for special applications in the laboratory
- 4 memory locations for cleaning programs, available via quick selection
- Autostart function for temperature-controlled start of cleaning
- Adjustable limit temperature from 40 - 60 °C (can be switched to °F)
- Digital control unit with wipeable membrane keyboard and easy-to-read display for displaying all operating states
- Optical and acoustic feedback, e.g. at the end of cleaning or when the limit temperature is reached
- Pre-selection of cleaning time: cleaning time adjustable between 1 minute and 6 hours
- Electronic temperature control adjustable in steps of 5 °C from 25 - 80 °C (can be switched to °F; temperature tolerance -5 / +8 °C)
- Setup menu for individual adjustment of the device functions
- Dry-run detection (except for Elmasonic Med 500 / 900)
- Automatic safety shutdown after 8 hours
- Splash-proof case and cleaning tank made of stainless steel
- Shut-off valve on the side for emptying the cleaning tank via the outlet on the rear of the device (only for Elmasonic Med 60 - 300)
- Shut-off valve and outlet on the side of the device for emptying the cleaning tank (only for Elmasonic Med 500 / 900)
- Soundproof lids reduce the noise of the ultrasound, the evaporation of water and chemicals, and the waste heat. Thus, energy and costs are saved.
- 2-year warranty from the initial operation, but no longer than 3 years from the production date

Technical specifications serve as orientation values and are subject to tolerances due to production and manufacturing. Proper operation can only be guaranteed when using original Elma accessories.

Elmasonic Med

Technical Data - Mechanics

Elmasonic Med	30	60	100	120	180	200	300	500	900
Total capacity V (l)	2,7	5,9	9,5	12,9	17,8	22,7	27,5	49,7	89
Recom. operating capacity V _a (l)	1,6	4,3	6,8	10,0	14,2	13,0 / 18,0	22,0	40,3	63,7
Unit ext. dimensions W / D / H (mm)	305 / 170 / 230	370 / 210 / 275	380 / 300 / 280	380 / 300 / 330	405 / 360 / 330	600 / 385 / 280	575 / 360 / 330	770 / 425 / 505	870 / 595 / 505
Unit ext. dimensions with open sound protection cover W / D ₁ / H ₁ (mm)	--							770 / 510 / 975	870 / 640 / 1145
Opening dimensions W ₃ / D ₃ (mm)	235 / 135	295 / 145	295 / 235	295 / 235	325 / 295	505 / 300	500 / 395		
Tank int. dimensions W ₂ / D ₂ / H ₂ (mm)	220 / 120 / 95	275 / 125 / 145	280 / 220 / 145	275 / 215 / 195	300 / 270 / 195	505 / 300 / 150	475 / 270 / 195	500 / 330 / 290	600 / 500 / 285
Weight incl. cover (kg)	3,6	5,2	6,2	7,7	10,2	12,2	12,2	30,4	43,4
Weight incl. sound protection cover (kg)	--							34,7	49,3
Drain hose - ID (mm)	--	12,0						19,0	
Basket int. dimensions W ₄ / D ₄ / H ₄ (mm)	195 / 105 / 50	255 / 115 / 75	255 / 200 / 70	250 / 190 / 110	280 / 250 / 115	490 / 255 / 95	455 / 250 / 110	460 / 300 / 195	545 / 460 / 190
Total basket loading (kg)	1,0	5,0	6,0	7,0	8,0	4,0	10,0	20,0	30,0

Technical specifications serve as orientation values and are subject to tolerances due to production and manufacturing. Proper operation can only be guaranteed when using original Elma accessories.

Elmasonic Med

Technical Data - Electronics and noise levels

Elmasonic Med	30	60	100	120	180	200	300	500	900
Mains voltage (V~)	220 - 240								
Mains frequency (Hz)	50 / 60								
Power consumption total (W)	320	550	550	1000	1000	1100	1500	2140	2960
Ultrasonic power effective $\pm 10\%$ (W)	120	150	150	200	200	300	300	540	960
Ultrasonic peak power max.* (W)	480	600	600	800	800	1200	1200	2160	3840
Heating power (W)	200	400	400	800	800	800	1200	1600	2000
Temperature ($^{\circ}\text{C}$)	25 - 80								
Protection class	IP 20								
Sound pressure level (LpAU)**	< 80 dB								
Ultrasonic sound level (LpZ)**	< 110 dB								

* The signal form of the wave results in a factor 4 for the ultrasonic peak max., depending on the modulation of the wave.

** Measured sound pressure level with basket and cover at 1 m distance.

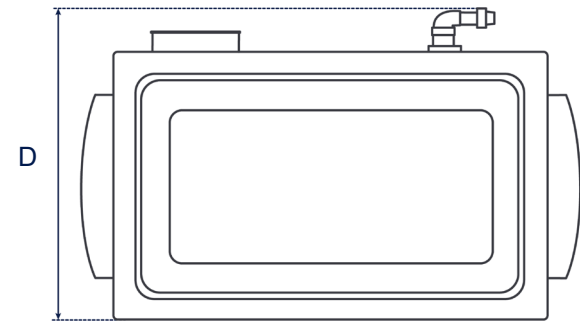
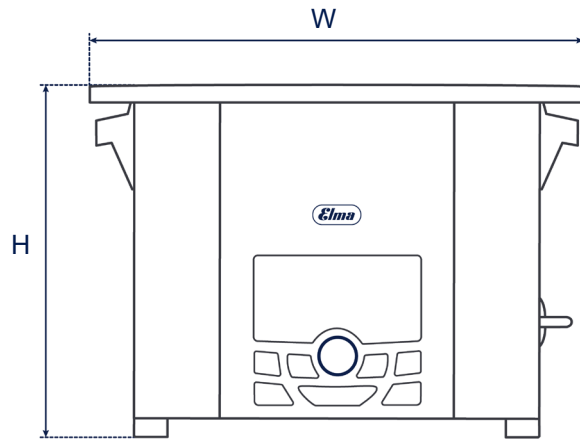
Technical specifications serve as orientation values and are subject to tolerances due to production and manufacturing. Proper operation can only be guaranteed when using original Elma accessories.

Elmasonic Med

Dimension definition

Unit outer dimensions

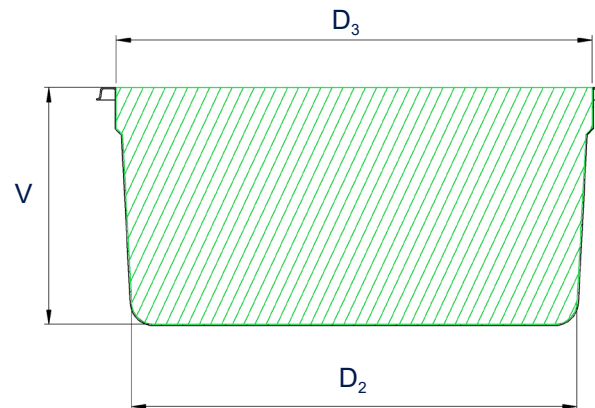
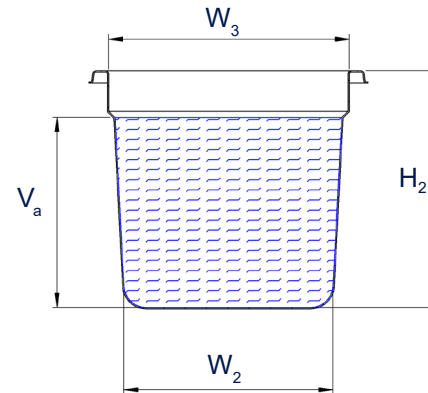
Elmasonic Med 30 - 300



Tank internal dimensions

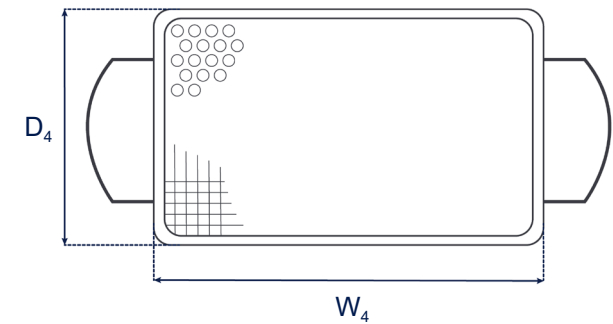
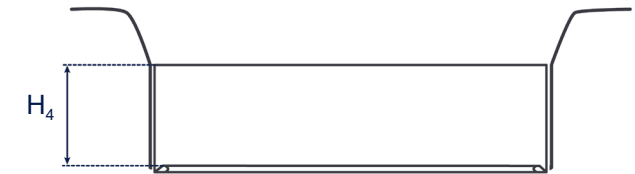
Elmasonic Med 30 - 300

V_a : recommended operating capacity of the cleaning tank
(The actual operating capacity depends on the load.)



Basket internal dimensions

Elmasonic Med 30 - 900



The drawings are meant as a visualization aid and are not true to scale.

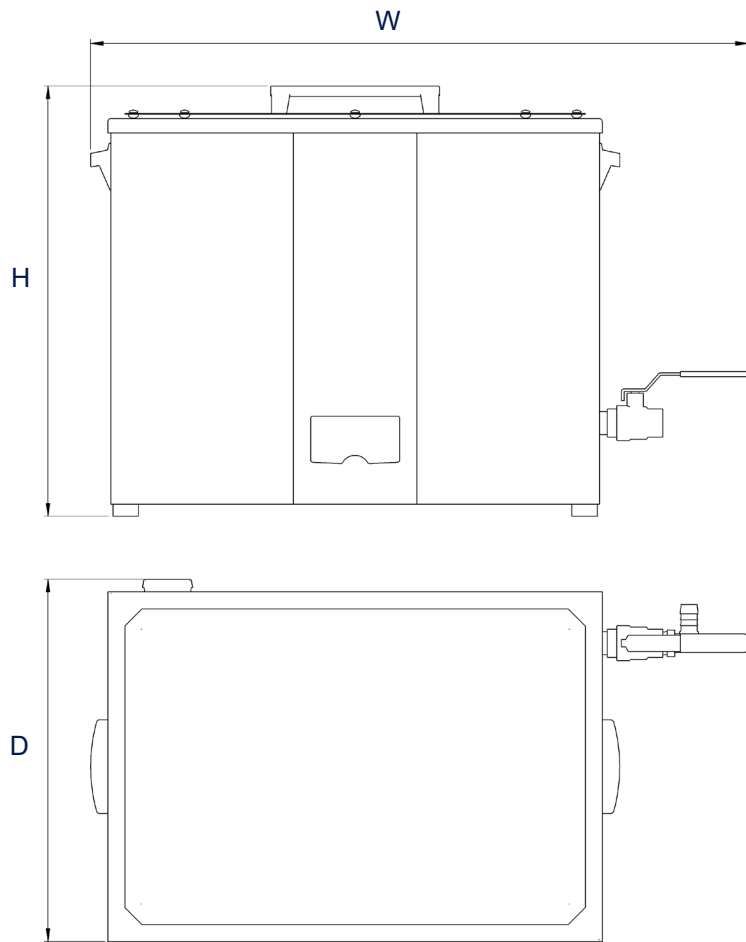
Technical specifications serve as orientation values and are subject to tolerances due to production and manufacturing. Proper operation can only be guaranteed when using original Elma accessories.

Elmasonic Med

Dimension definition

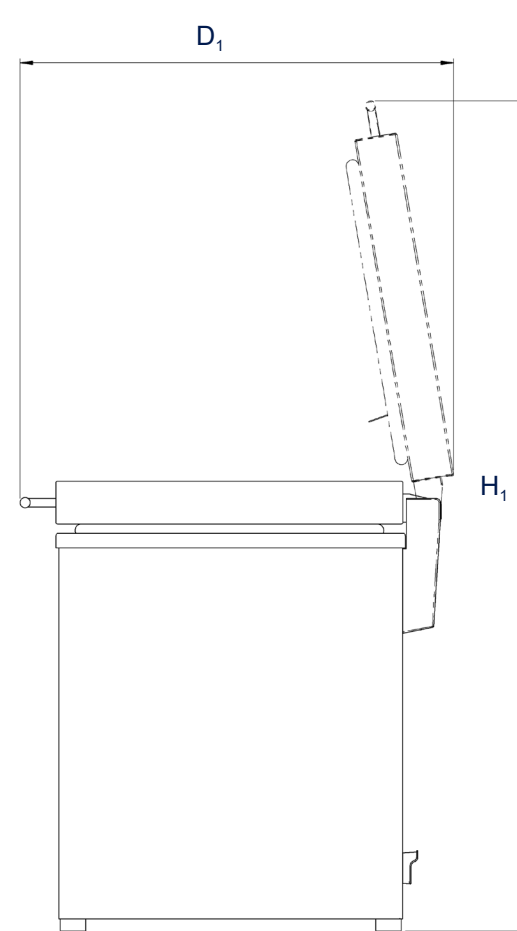
Unit outer dimensions

Elmasonic Med 500 / 900



Unit outer dimensions

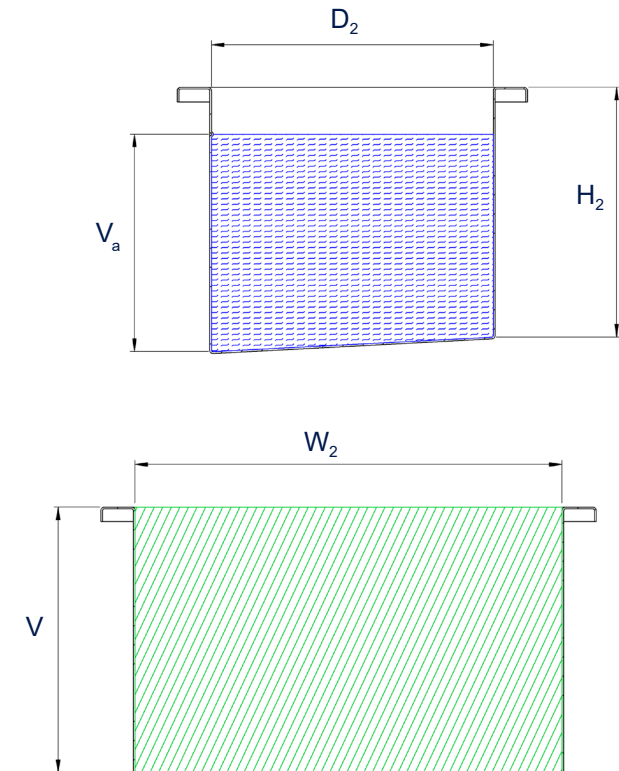
Elmasonic Med 500 / 900 with sound protection cover



Tank internal dimensions

Elmasonic Med 500 / 900

V_a : recommended operating capacity of the cleaning tank
(The actual operating capacity depends on the load.)



The drawings are meant as a visualization aid and are not true to scale.

Technical specifications serve as orientation values and are subject to tolerances due to production and manufacturing. Proper operation can only be guaranteed when using original Elma accessories.